

RJ-45 Dual Adapters - Labelled

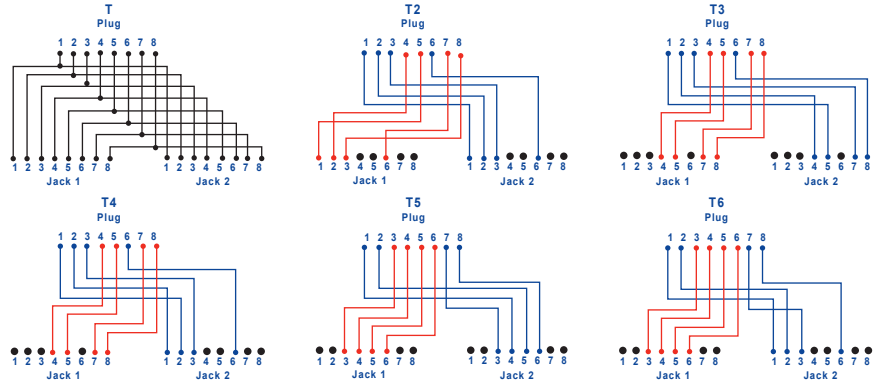
MODEL CODE TYPE

- C-RJ45LT 8 Way Splitter
- C-RJ45LT2 Supports 2 UTP Devices
- C-RJ45LT3 Supports 2 Phones
- C-RJ45LT4 Supports 1 UTP & 1 Phone
- C-RJ45LT5 Supports 2 Digital Phones
- C-RJ45LT6 Supports 1 Digital Phone & 1 UTP

RJ45 8 contact dual adapter - 2x sockets & 1x plug (with short cable & pinout label)



RJ-45 DUAL ADAPTER PINOUTS

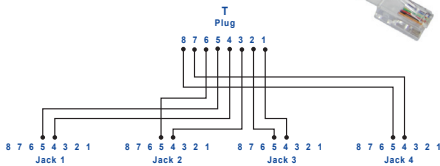


RJ45 Voice Splitter - 4 Way

MODEL CODE

NEW C-RJ45DS-4V

RJ45 splitter, 4 way voice extensions

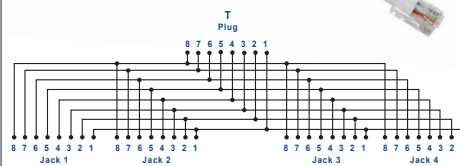


RJ45 Bridged Splitter - 4 Way

MODEL CODE

NEW C-RJ45DS-4B

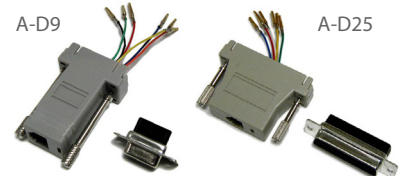
RJ45 splitter, bridged all pins 4 way



DB to RJ45 Adapters

MODEL CODE TYPE

- A-D9FRJ45 DB9 Female to RJ45, 8 wire
- A-D9MRJ45 DB9 Male to RJ45, 8 wire
- A-D25FRJ45 DB25 Female to RJ45, 8 wire
- A-D25MRJ45 DB25 Male to RJ45, 8 wire
- A-D15FRJ45 DB15 Female to RJ45, 8 wire
- A-D15MRJ45 DB15 Male to RJ45, 8 wire



Solder Connectors

MODEL CODE TYPE

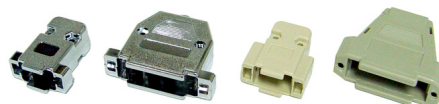
- A-SC-HD15F HD DB15 VGA Female
- A-SC-HD15M HD DB15 VGA Male
- A-SC-D25F DB25 Female
- A-SC-D25M DB25 Male
- A-SC-D9F DB9 Female
- A-SC-D9M DB9 Male



DB9, DB15 & DB25 Hoods

MODEL CODE TYPE

- A-HOOD9 DB9 Beige Plastic
- A-HOOD25 DB25 Beige Plastic
- A-HOOD9 MET DB9 Metalised
- A-HOOD15 MET DB15 Metalised
- A-HOOD25 MET DB25 Metalised



2 Wire Jack

MODEL CODE TYPE

- BT-2WJACK BT 2 Wire Jack
- BT-JMB Mounting Block
- BT-2WJWMB 2 Wire Jack w/Mounting Block

