

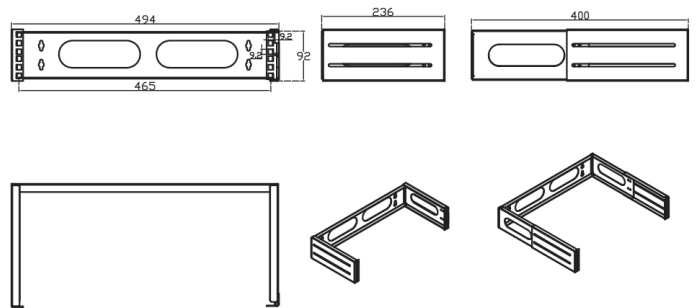
# 2RU 19" WALL MOUNT FOLDABLE BRACKET

## DESCRIPTION

DYNAMIX wall mount and utility brackets offer another choice small sized rack installations. Their small size makes them perfect for areas with very limited space. They come pre-assembled in one piece. Mounting holes are spaced apart to align with wall studs. They can be mounted on a wall to hold network equipment.

## FEATURES

- Compatible with nearly all 19" rack mountable equipment
- 2U hinged design allows 180 degree swing out
- Extendable depth from 236 to 400mm
- Cutout in rear for cable pass-through
- Durable solid steel construction
- Includes top & bottom covers



PRODUCT CODE	DESCRIPTION	COLOUR
DWC-0210-2U	2RU 19" Wall Mount Foldable Bracket. Includes Top & Bottom Covers	Black

## SPECIFICATIONS

Depth	Up to 400mm
Dimensions WxH	494x92
Max Load	12Kgs

## ALSO AVAILABLE:

### DWC-0210-4U



DYNAMIX 4RU 19" Wall Mount Foldable Bracket. Includes Top & Bottom Covers. Adjustable Depth

### DWC-0210-8U



DYNAMIX 8RU 19" Wall Mount Foldable Bracket. Includes Top & Bottom Covers. Adjustable Depth

Please note we took the up-most care to compile the information in this datasheet. To the best of our knowledge all info provided were correct at the time of creation. Should any specs change we try to update info accordingly. Information are subject to change without notice. In the case that you find any irregularity please inform our team at [contactus@dynamix.co.nz](mailto:contactus@dynamix.co.nz)

Last updated: 19 July 2019