

19" FULLY ENCLOSED HINGED WALL MOUNT BRACKET

DESCRIPTION

The DYNAMIX 19" fully enclosed wall mount bracket delivers a dependable equipment storage option, allowing you to wall mount equipment for a more efficient and accessible operating environment. Made of sturdy cold rolled steel.

FEATURES

- Incorporates left hand swing arm for easy installation and maintenance
- Supplied assembled with lid and base panels
- Side venting
- Hinged bracket
- 4x Rear mounting points
- Rear cable entry
- Knock-outs on top, bottom & sides
- Black colour



Front 6U - 300mm Deep



Front 6U - 200mm Deep



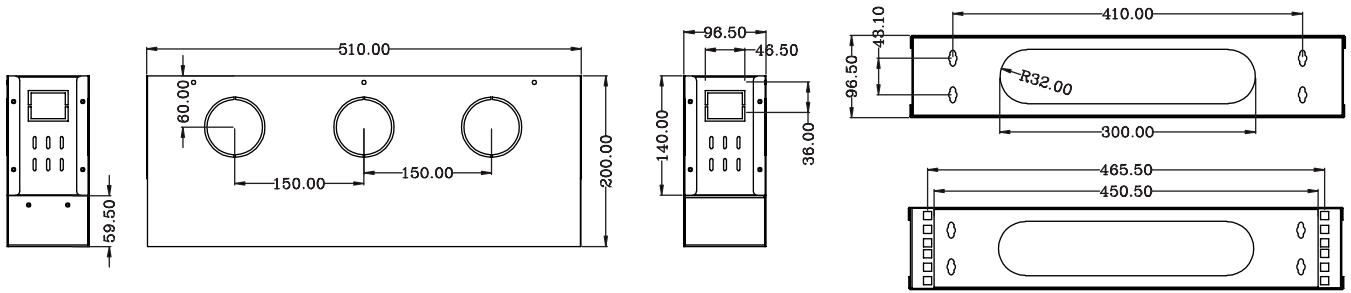
Front 2U - 300mm Deep

PRODUCT CODE	DESCRIPTION	DIMENSIONS (WxHxD)	HEIGHT
HWMB200-2U	19" Fully Enclosed Hinged Wall Mount Bracket.	510x96.50x200mm	2U
HWMB200-4U	19" Fully Enclosed Hinged Wall Mount Bracket.	510x185.40x200mm	4U
HWMB200-6U	19" Fully Enclosed Hinged Wall Mount Bracket.	510x270.30x200mm	6U
HWMB200-9U	19" Fully Enclosed Hinged Wall Mount Bracket.	510x407.65x200mm	9U
HWMB300-2U	19" Fully Enclosed Hinged Wall Mount Bracket.	510x96.50x300mm	2U
HWMB300-4U	19" Fully Enclosed Hinged Wall Mount Bracket.	510x185.40x300mm	4U
HWMB300-6U	19" Fully Enclosed Hinged Wall Mount Bracket.	510x270.30x300mm	6U
HWMB300-9U	19" Fully Enclosed Hinged Wall Mount Bracket.	510x407.65x300mm	9U

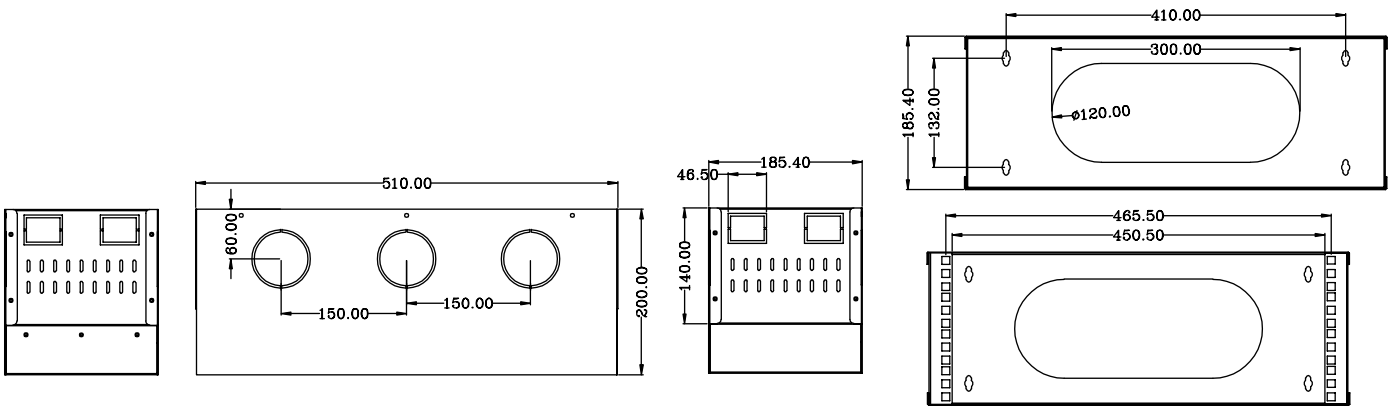
SPECIFICATIONS

Mounting screws included	Yes
Material constructed	Cold rolled steel
Standard hole sizing	Yes
Colour	Black

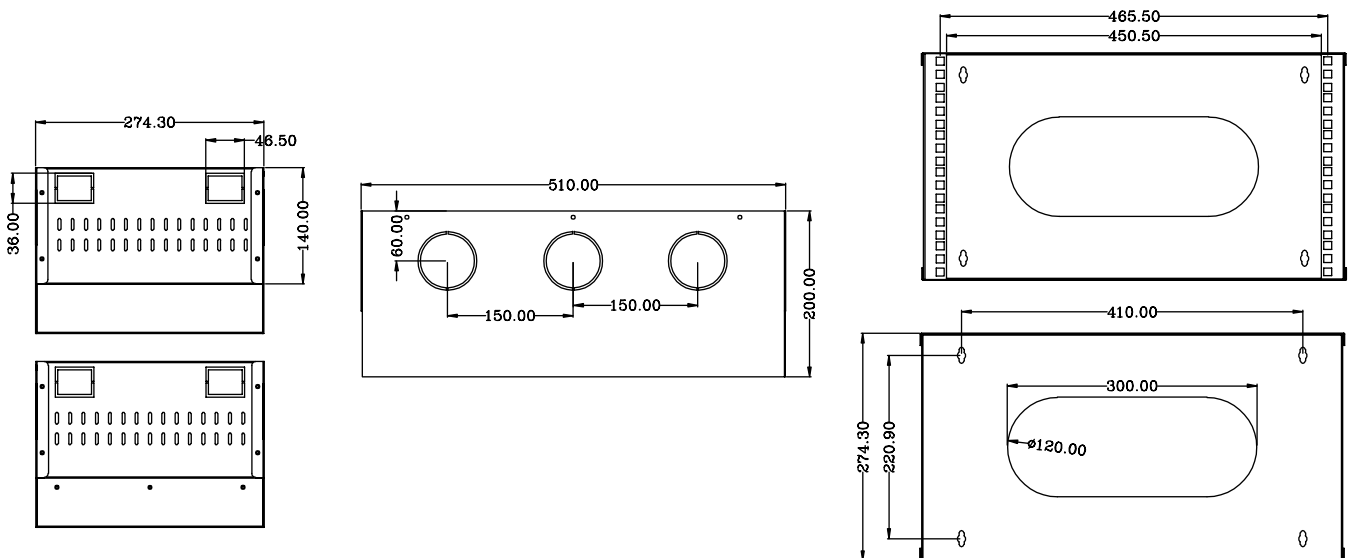
HWMB200-2U



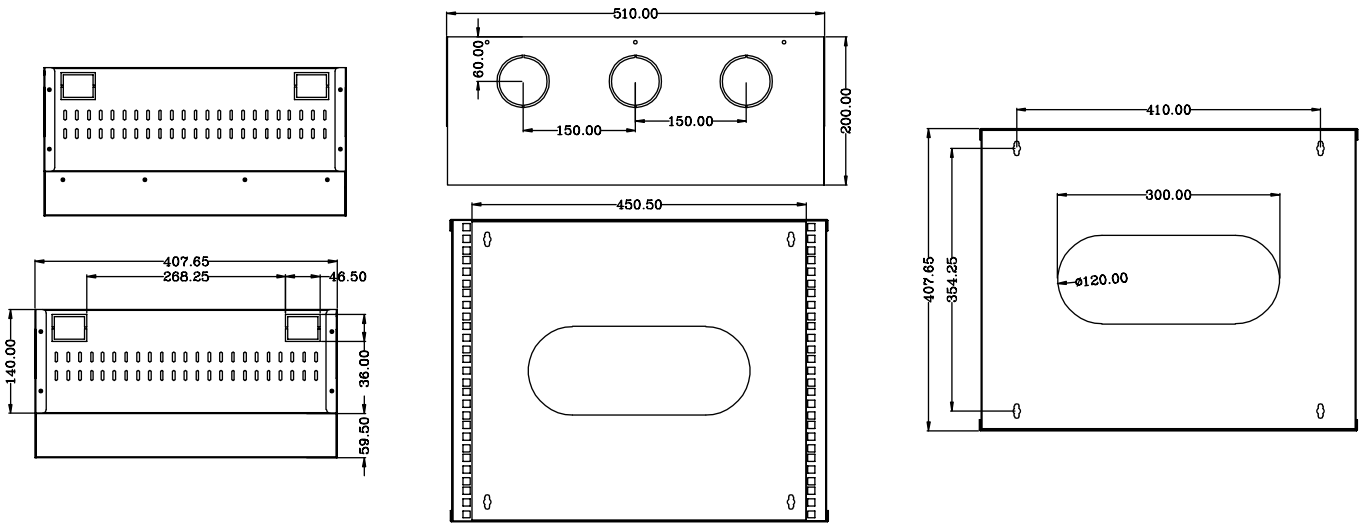
HWMB200-4U



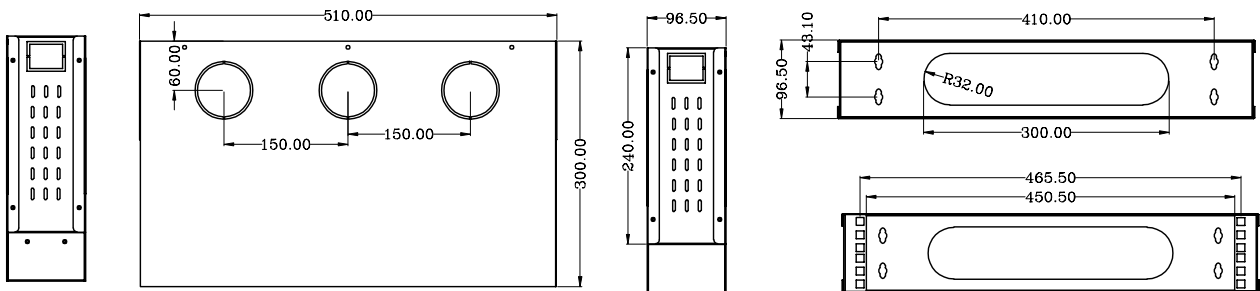
HWMB200-6U



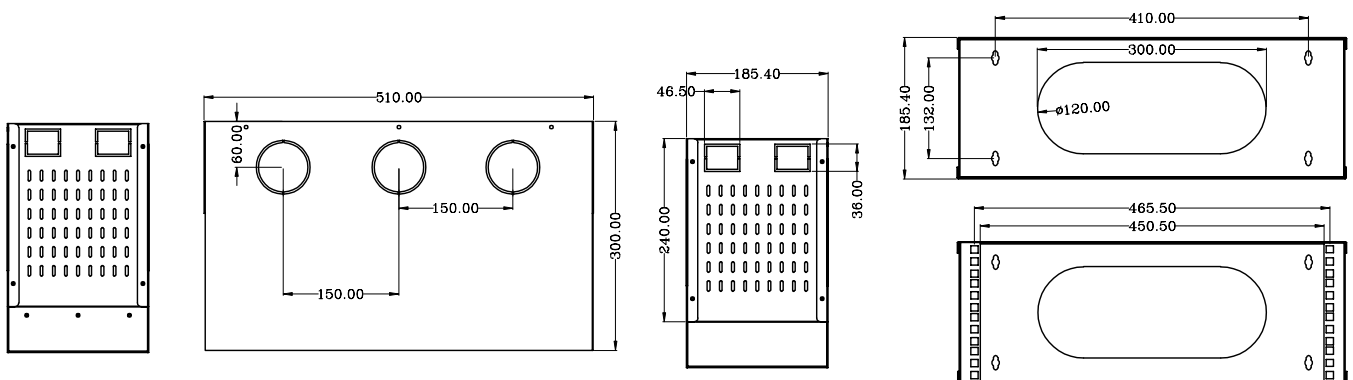
HWMB200-9U



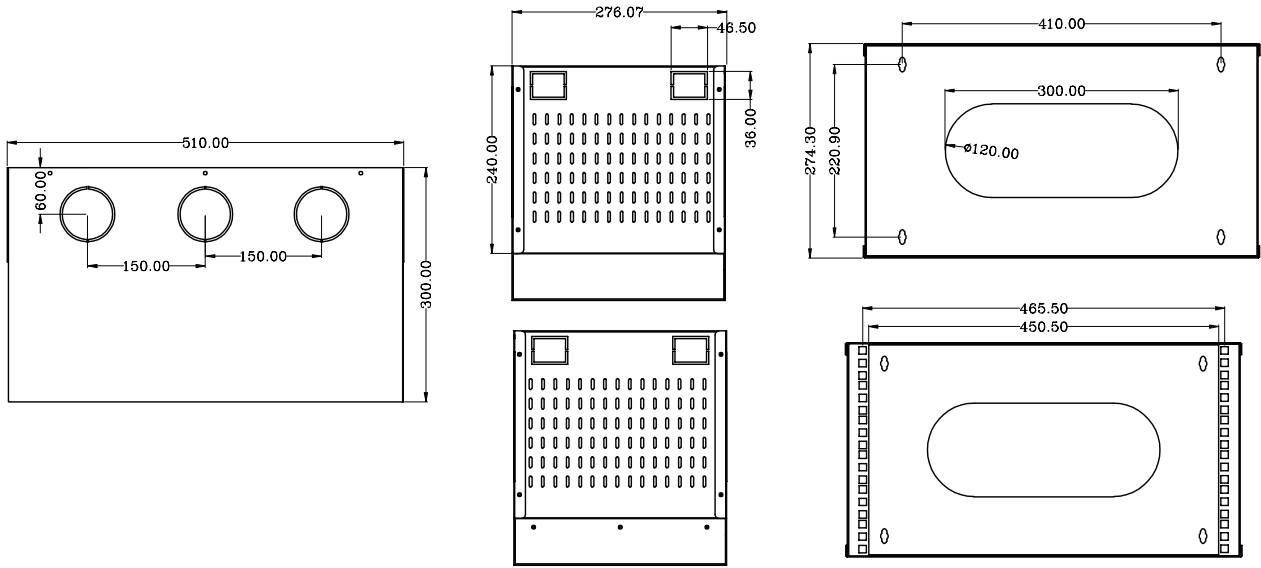
HWMB300-2U



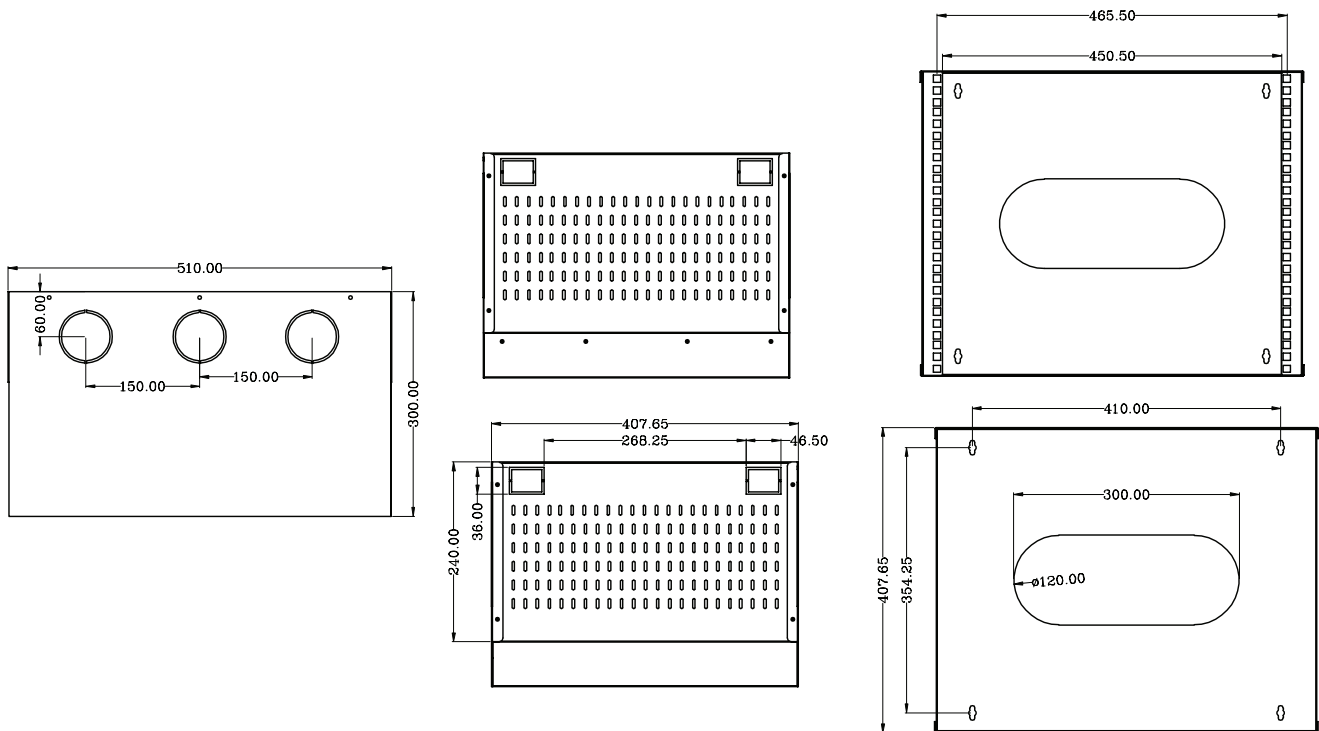
HWMB300-4U



HWMB300-6U



HWMB300-9U



ALSO AVAILABLE:

<p>RWM-6</p>  <p>6RU Wall Mount Cabinet 450mm Deep. Incl: 1x Fixed Shelf, 2x Fans & 10x Cage Nuts.</p>	<p>RSFDS6-450</p>  <p>6RU Universal Swing Wall Mount Cabinet. Removable Back mount.</p>	<p>RACS-275</p>  <p>1RU 19" Cantilever Shelf. Overall Depth: 275mm, Shelf Depth: 245mm. Weight Rating: 15kg</p>	<p>RSL220</p>  <p>Series II 20-pack Maroon Smart Rack Mounting System. In Ziplock Resealable Bag.</p>
--	---	--	---

Please note we took the up-most care to compile the information in this datasheet. To the best of our knowledge all info provided were correct at the time of creation. Should any specs change we try to update info accordingly. Information are subject to change without notice. In the case that you find any irregularity please inform our team at contactus@dynamix.co.nz

Last updated: 13 February 2020