

RJ-45 Dual Adapters - Labelled

MODEL CODE	TYPE
------------	------

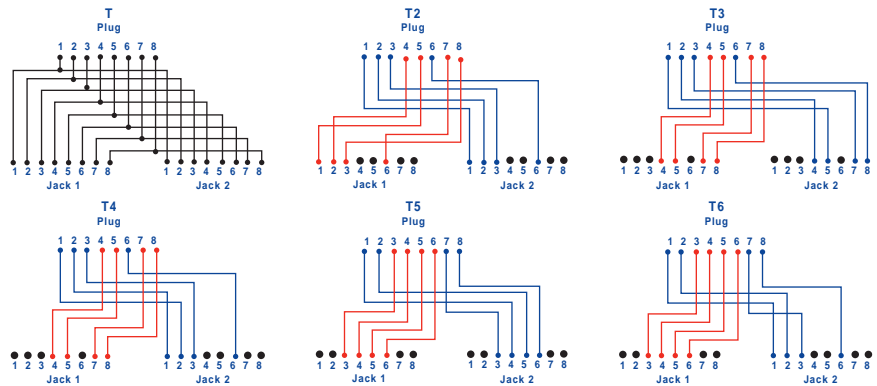
- | | |
|-----------|----------------------------------|
| C-RJ45LT | 8 Way Splitter |
| C-RJ45LT2 | Supports 2 UTP Devices |
| C-RJ45LT3 | Supports 2 Phones |
| C-RJ45LT4 | Supports 1 UTP & 1 Phone |
| C-RJ45LT5 | Supports 2 Digital Phones |
| C-RJ45LT6 | Supports 1 Digital Phone & 1 UTP |

RJ45 8 Conductor Dual Adapter - 2x sockets & 1x Plug (with short cable & pinout label)



C-RJ45LT2

RJ-45 DUAL ADAPTER PINOUTS



DB9 to RJ45 Adapters

MODEL CODE	TYPE
------------	------

- | | |
|-----------|----------------------------|
| A-D9FRJ45 | DB9 Female to RJ45, 8 wire |
| A-D9MRJ45 | DB9 Male to RJ45, 8 wire |



DB25 to RJ45 Adapters

MODEL CODE	TYPE
------------	------

- | | |
|------------|-----------------------------|
| A-D25FRJ45 | DB25 Female to RJ45, 8 wire |
| A-D25MRJ45 | DB25 Male to RJ45, 8 wire |



DB15 to RJ45 Adapters

MODEL CODE	TYPE
------------	------

- | | |
|------------|-----------------------------|
| A-D15FRJ45 | DB15 Female to RJ45, 8 wire |
| A-D15MRJ4 | DB15 Male to RJ45, 8 wire |



Master ADSL Wired In Filter

MODEL CODE

XDSL-MASTER

XDSL Master Wired in filter
ADSL/ADSL2+/VDSL/VDSL2 compliant



ADSL 2+ Splitter & In Line Filter

MODEL CODE

ADSL002
NEW ADSL002-BULK

ADSL2+ Telephone splitter and in-line filter
ADSL002 ADSL002-BULK



2 Wire Jack

MODEL CODE	TYPE
------------	------

NEW BT-2WJACK
NEW BT-JMB
NEW BT-2WJWMB

BT 2 Wire Jack
Mounting Block
2 Wire Jack
w/Mounting Block



BT-2WJACK



BT-JMB



BT-2WJWMB



PTC 223/96/005